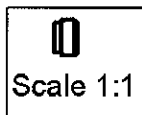
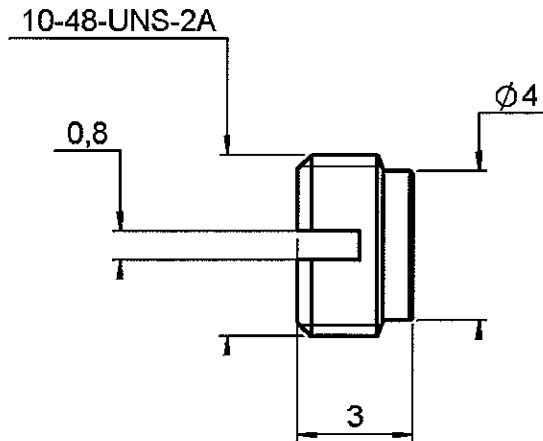


**THREAD-IN SHROUD 0.4MM**

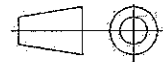
**R222.550.001**

**FULL DETENT**

Series : SMP



All dimensions are in mm.



COMPONENTS	MATERIALS	PLATINGS (µm)
BODY	STAINLESS STEEL	PASSIVATED .
CENTER CONTACT	-	-
OUTER CONTACT	-	-
INSULATOR	-	-
GASKET	-	-
OTHERS PARTS	-	-
-	-	-
-	-	-

Issue : 0529 B

In the effort to improve our products, we reserve the right to make changes judged to be necessary.



**THREAD-IN SHROUD 0.4MM**

**R222.550.001**

**FULL DETENT**

Series : SMP

**PACKAGING**

**SPECIFICATION**

Standard	Unit	Other
100	'W' option	Contact us

**ELECTRICAL CHARACTERISTICS**

**ENVIRONMENTAL**

Impedance		50 Ω
Frequency		NA GHz
VSWR	NA +	0.000 x F(GHz) Maxi
Insertion loss		NA √F(GHz) dB Maxi
RF leakage	-(	NA - F(GHz)) dB Maxi
Voltage rating		NA Veff Maxi
Dielectric withstanding voltage		NA Veff mini
Insulation resistance		NA MΩ mini

Operating temperature	-65/+165 °C
Hermetic seal	NA Atm.cm3/s
Panel leakage	NA

**OTHERS CHARACTERISTICS**

Assembly instruction NA

Others :  
-

**MECHANICAL CHARACTERISTICS**

Center contact retention		
Axial force – Mating end	NA	N mini
Axial force – Opposite end	NA	N mini
Torque	NA	N.cm mini
Recommended torque		
Mating	NA	N.cm
Panel nut	90	N.cm
Mating life	100	Cycles mini
Weight	0.150	g

Issue : 0529 B

In the effort to improve our products, we reserve the right to make changes judged to be necessary.



**RADIALL®**

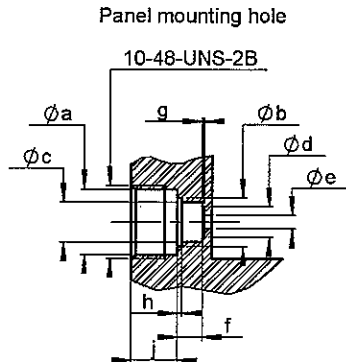
**THREAD-IN SHROUD 0.4MM**

**R222.550.001**

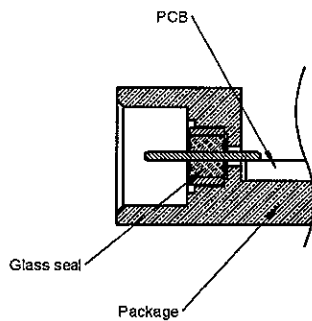
**FULL DETENT**

Series : SMP

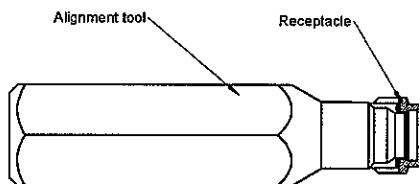
**ADDITIONAL INFORMATIONS  
MOUNTING AND REPLACEMENT INSTRUCTIONS**



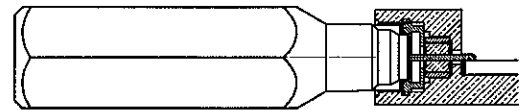
	mini - maxi
a	4,32 - 4,37
b	3,21 - 3,25
c	2,56 - 2,58
d	1,95 - 2,05
e	0,86 - 0,89
f	1,61 - 1,65
g	0,13 - 0,18
h	0,28 - 0,35
i	3,10 - 3,15



1. Connector must be screwed or unscrewed with adapted torque driver R282.339.001 (recommended coupling torque 90 Ncm) Alignment tool R282.360.001
2. Slide on the receptacle until it bottoms against tooling



3. Screw the receptacle into the package housing until activation of the torque driver



4. Withdraw the alignment tool

Issue : 0529 B

In the effort to improve our products, we reserve the right to make changes judged to be necessary.

